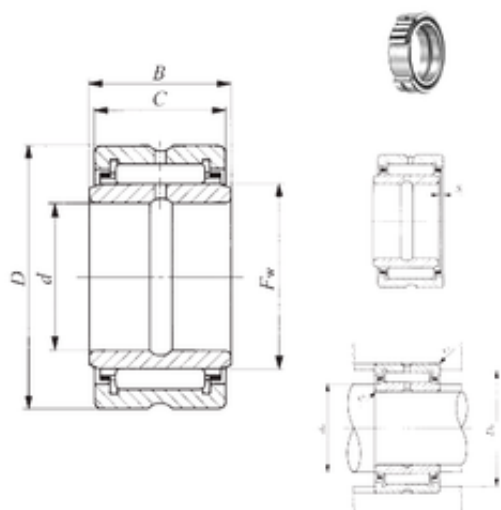




EKV Power Transmission Fittings Co., ...



9,525 mm x 28,575 mm x 19,3 mm 9,525 mm x
28,575 mm x 19,3 mm IKO BRI 61812 needle
roller bearings

Bearing No. BRI 61812

Size	9.525x28.575x19.3 mm
Bore Diameter	9,525 mm
Outer Diameter	28,575 mm
Width	19,3 mm
d	9,525 mm
Fw	15,875 mm
D	28,575 mm
B	19,3 mm
C	19,05 mm
da min.	14 mm
da max	14,5 mm
Da max.	24,5 mm
ra max.	0,6 mm
S	0,3 mm
Weight	0,0675 Kg
Basic dynamic load rating (C)	18,9 kN
Basic static load rating (C0)	19,7 kN

BRI 61812 Bearing 2D drawings and 3D CAD models