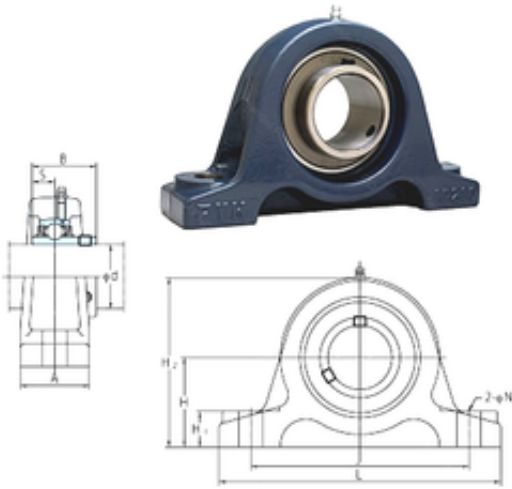




# EKU Power Transmission Fittings Co., ...

## FYH UCIP328 bearing units

Bearing No. UCIP328



UCIP328 Bearing 2D drawings and 3D CAD models

Bore Diameter	140 mm
Width	145 mm
d	140 mm
A	110 mm
B	145 mm
H	200 mm
H1	55 mm
H2	400 mm
J	500 mm
L	590 mm
N	35 mm
S	59 mm
Bolt (G)	M33
Weight	87 Kg
Basic dynamic load rating (C)	253 kN
Basic static load rating (C0)	246 kN