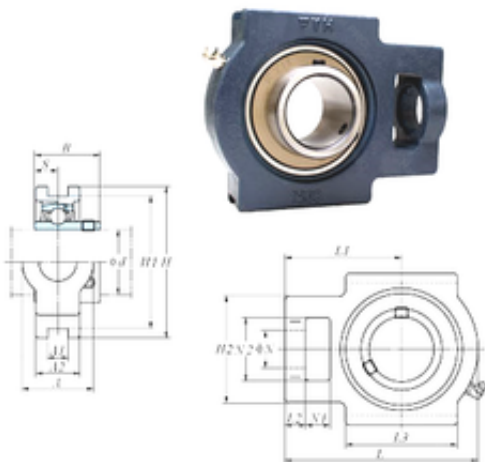




**FYH UCT307 bearing units**



Bearing No. UCT307

Bore Diameter	35 mm
d	35 mm
L2	15 mm
L3	80 mm
A	45 mm
A1	16 mm
B	48 mm
H	111 mm
H1	100 mm
H2	75 mm
L	150 mm
L1	94 mm
N	30 mm
N1	20 mm
S	19 mm
A2	32 mm
N2	45 mm
Weight	2,3 Kg
Basic dynamic load rating (C)	33,4 kN
Basic static load rating (C0)	19,3 kN
Category	Mounted Units & Inserts
Inventory	0.0
Manufacturer Name	FYH BEARING UNITS
Minimum Buy Quantity	N/A
Weight / Kilogram	0
Product Group	M06110

UCT307 Bearing 2D drawings and 3D CAD models



# EKU Power Transmission Fittings Co., ...