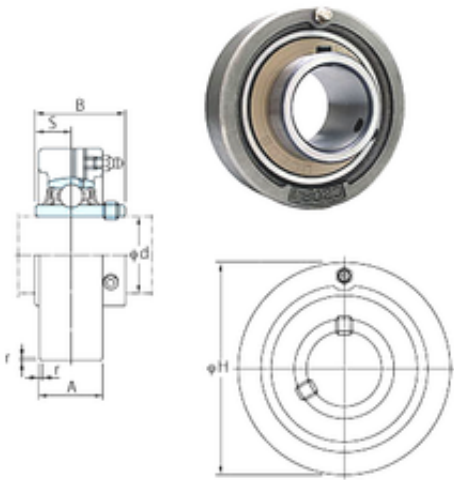




EKU Power Transmission Fittings Co., ...

FYH UCC212 bearing units



Bearing No. UCC212

UCC212 Bearing 2D drawings and 3D CAD models

Bore Diameter	60 mm
Width	65,1 mm
d	60 mm
r	2,5 mm
A	38 mm
B	65,1 mm
H	130 mm
S	25,4 mm
Weight	2,6 Kg
Basic dynamic load rating (C)	52,4 kN
Basic static load rating (C0)	36,2 kN
Category	Cartridge Unit Bearings
Inventory	0.0
Manufacturer Name	FYH BEARING UNITS
Minimum Buy Quantity	N/A
Weight / Kilogram	2.599
Product Group	M06110
Mounting Method	Set Screw
Housing Style	Cartridge Unit
Housing Material	Cast Iron
Rolling Element	Ball Bearing
Expansion / Non-expansion	Non-expansion
Relubricatable	Yes
Insert Part Number	UC212
Seals	Single Lip Contact
Other Features	Single Row Normal Duty



EKU Power Transmission Fittings Co., ...

	NBR Seal Has Slinger
Long Description	60MM Bore; 130MM Outside Diameter; 38MM Cartridge Housing Width; Set Screw; Cartridge Unit; Cast Iron; Ball Bearing; 65.1MM Length Thru Bore; Relubricatable; UC212 Insert; Single Lip Contact; Non-expa
Inch - Metric	Metric
Category	Mounted Cartridge Units
UNSPSC	31171535
Harmonized Tariff Code	8483.20.40.40
Noun	Bearing
Keyword String	Cartridge
Manufacturer URL	http://www.fyhbearings.com
Manufacturer Item Number	UCC212
Weight / LBS	5.732
Bore	2.362 Inch 60 Millimeter
Length Thru Bore	2.563 Inch 65.1 Millimeter
Cartridge Housing Width	1.496 Inch 38 Millimeter
Outside Diameter	5.118 Inch 130 Millimeter