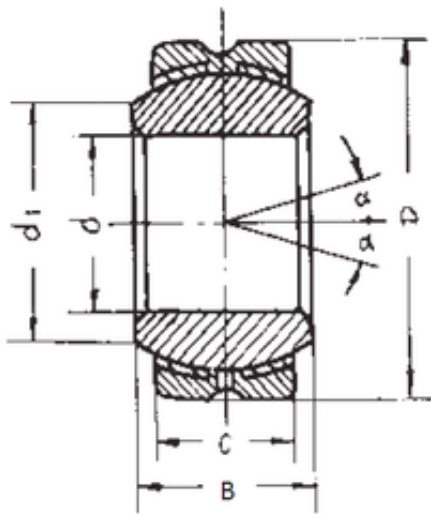




EKV Power Transmission Fittings Co., ...



14 mm x 34 mm x 19 mm 14 mm x 34 mm x 19 mm FBJ GEBK14S plain bearings

Bearing No. GEBK14S

Size	14x34x19 mm
Bore Diameter	14 mm
Outer Diameter	34 mm
Width	19 mm
d	14 mm
D	34 mm
B	19 mm
C	13,5 mm
d1	16,9 mm
Angle	16 °
Weight	0,084 Kg
Basic dynamic load rating (C)	13,4 kN

GEBK14S Bearing 2D drawings and 3D CAD models